

RUDOLF™ MYRA 300

Introduction

Company

Bridex Singapore Pte Ltd is founded in 1978 as a manufacturer of instruments transformer for the Asian market. We are the first local electrical switchgear components manufacturer that launches our own Asian identity – **Rudolf**.

Today we aim to become a knowledge-based, technology driven engineering organization, with emphasis on providing solution for electrical distribution and control, in area of component supply for instruments, distribution & protection, motor controller solution. With our present headquarter in Singapore and subsidiaries that are located in Australia, China, Malaysia, Philippines and Vietnam, we are well equipped to service our local market and countries in the Asia-Pacific.

Product – Myra 300

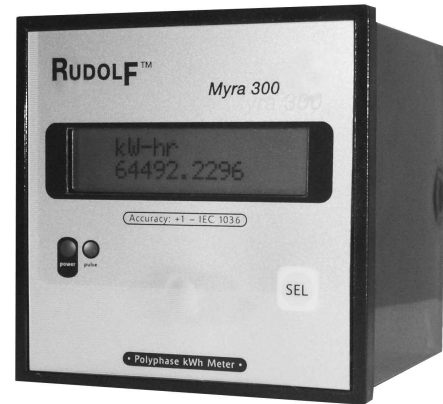
Myra 300, complete micro-processor based, poly-phase kilowatt-hour meter is equipped with high resolution liquid crystal display to complete its new state of the art outlook. We offer this solution with high accuracy at class 1.0 to IEC1036 additional features for its system configuration, current ratio and pulse output. This enhance user friendliness and complete flexibility during design and installation of the meter.

Myra 300, a evolutionary product in succession to our previous offer of kWh meter with counter display – Mk 5.

Basic Features

Myra 300 is designed in accordance to IEC1036 class 1 which allow measurement of energy consumption for different system environment. Myra 300 measure input voltage ranging up to 500VAC combined with current input from external current transformer ranging from 1A-6000A. Equipped with a large 16 digit LCD display, this provide clear viewing of the energy consumed at the point of installation with optional pulse output for remote signaling. User have choices for selection of :

- system configuration – single phase / 3P3W/ 3P4W
- current transformer ratio – 1 to 6000A
- pulse output – 1 pulse for 1kWh / 1 pulse for 10kWh
- pulse width – 150ms



Specifications

System type	: single phase, 3 phase 3 wire, 3 phase 4 wires
Accuracy & standard	: 1% at IEC1036
Ambient temperature	: 0-50 deg C
Humidity	: 95% non condensing

Input

Input voltage	: 0-500VAC
Input voltage tolerance	: 80-120% of Un
Burden	: < 0.2VA per phase
Overload conditions	: 1.5 x Un continuous : 4 x Un for 1 second

Input current	: 5A(6)
Input current tolerance	: 10-120%
Burden	: < 0.2VA per phase
Overload conditions	: 4 x In continuous : 50 x In for 1 second
Frequency	: 45/65Hz

Auxiliary Supply	: 230VAC
------------------	----------

Output relay (optional)

KWhr pulse output	: mercury wetted volt free relay
Pulse rate	: 1 pulse per kWh / 10 kWh
Pulse duration	: 150ms

Enclosure

Display	: 16 digit LCD display including 4 decimal places, re-settable
Dimension	: DIN 96x96x98mm
Panel mount	: via 4 corner bracket and thumb tensioning screws
Panel cutout	: 92 + 0.8mm x 92 + 0.8mm
Material	: black polycarbonate complying with UL 94VO. The cover/window is made from plexiglass 7N
Fixing	: Snap on DIN rail 35 x 7.5mm complying with DIN 50022 BS5584
Enclosure code	: Case IP50 / terminal IP 30 complying with IEC529 BS5490 DIN 40050
Terminal	: 3.5mm

Insulation

Test voltage	: 4kV RMS 50Hz for 1 min
Impulse test	: EMC 5kV transient comply with IEC801 / EN55020
HF interference test	: EHF 2.5kV 1MHz comply with IEC255-4

Choice of primary current

CT Ratio (1kWh/pulse)	CT Ratio (10kWh/pulse)	
1A	600A	3000A
60A	800A	3200A
100A	1000A	3500A
150A	1200A	4000A
200A	1500A	4500A
250A	1600A	5000A
300A	2000A	5500A
400A	2400A	6000A
500A	2500A	

Choice of secondary current : 1 or 5A

Selection Guide

Product Code	Output Configuration	System Configuration	Cutout	Auxiliary Supply
R-Myra-300-****	w/o pulse	3P3W, 3P4W Single Phase	96 x 96	230 Vac
R-Myra-300-P-****	c/w pulse			

Ordering format

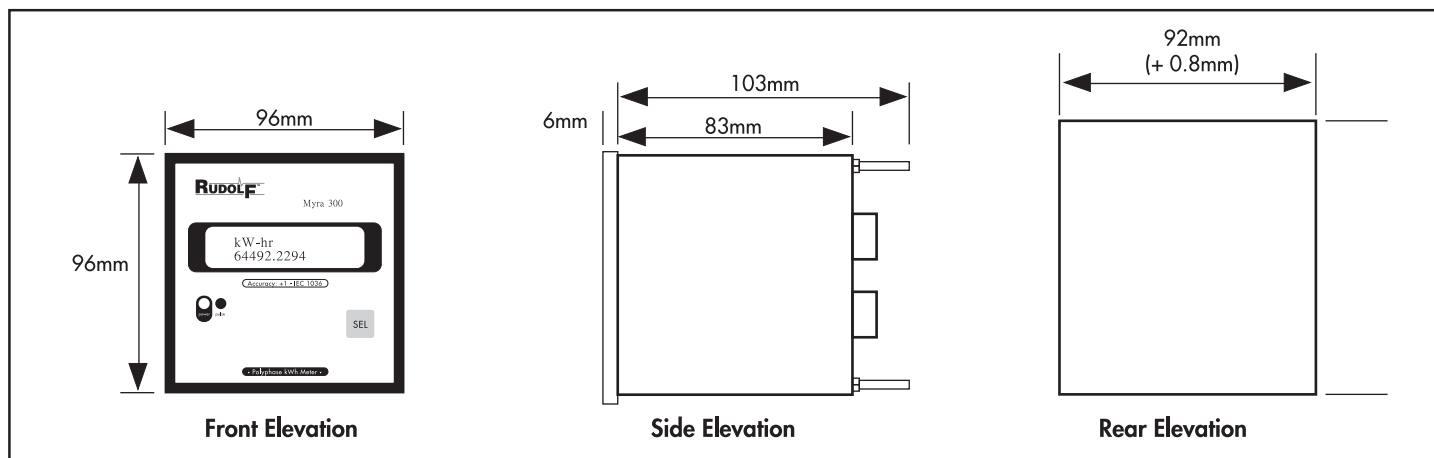
Example

R - Myra-300 - 0060
R - Myra-300 - P - 0060

**** = CT primary

0001=1A	0600=600A	3000=3000A
0060=60A	0800=800A	3200=3200A
0100=100A	1000=1000A	3500=3500A
0150=150A	1200=1200A	4000=4000A
0200=200A	1500=1500A	4500=4500A
0250=250A	1600=1600A	5000=5000A
0300=300A	2000=2000A	5500=5500A
0400=400A	2400=2400A	6000=6000A
0500=500A	2500=2500A	

Dimension Diagram



Wiring Diagram

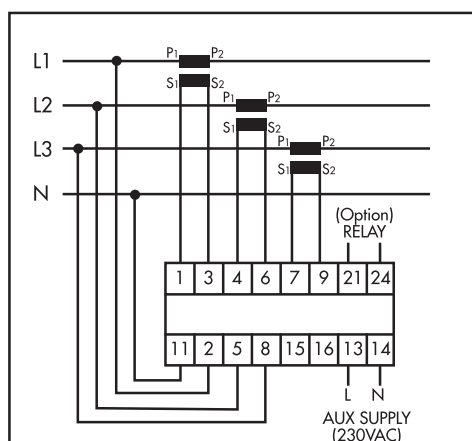


Figure 1 :- 3P4W

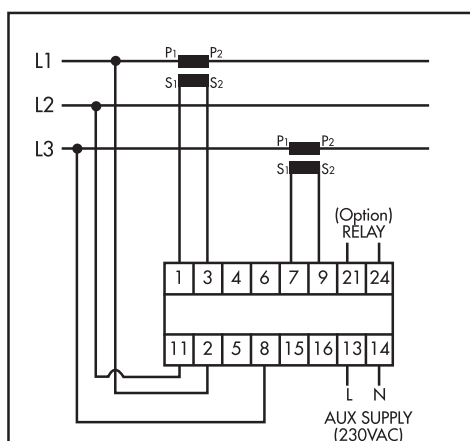


Figure 2 :- 3P3W

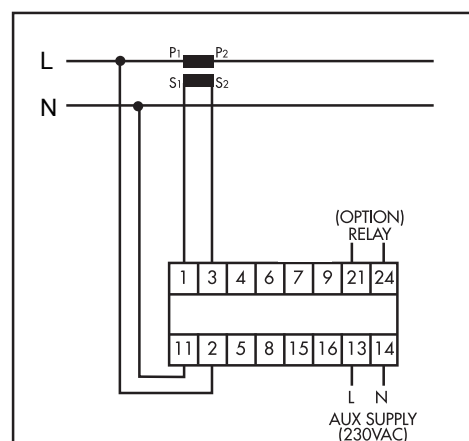


Figure 3 :- Single Phase



BRIDEX Singapore Pte Ltd

a member of the SMB Group

47 Yishun Industrial Park A, Singapore 768724

Tel: 6756 0833 Fax: 6756 2007

http://www.bridex.com.sg e-mail: sales@bridex.com.sg

RUDOLF™ brandname is the registered trademark of Bridex Singapore Pte Ltd (a member of SMB United Group) in Singapore and other countries. Our policy is one of continuous development and we therefore reserve the right to alter technical data without prior notice.